

PARTS MANUAL

BUILT IN OVEN

HWO90S10EX2 HA AA

Product Code
61758-A

AA

Haier

CONTENTS

Introduction	2
Control panel components	3
Chassis components	5
Door components	7
Elements & accessories components	9

INTRODUCTION

BRAND	VOLTAGE	MODEL	PRODUCT CODE
Haier	220-240V 50Hz	HWO90S10EX2 HA AA	61758-A

MODELS

- The model covered by this manual is listed on the front cover.
- The information detailed in this manual is subject to change without notice. The latest version is indicated by the reprint date and replaces any earlier editions.

KIT PARTS

Where a part number is shown against the descriptions for these kit components, they are also available as separate items. In addition, some parts may be supplied with these kits that are not available as separate items, and are therefore either not listed, or a part number is not shown against the part description in this manual.

PARTS LIST KEY

NI	As a part reference, indicates the part is not illustrated on the diagram.
NOT USED	As a part number, indicates the diagram part reference is not used in this manual.
NS	As a part number, indicates the part is not servicable.

NZ

Fisher & Paykel Appliances Ltd
78 Springs Road, East Tamaki
Manukau 2013
PO Box 58-546, Botany
Manukau 2163
New Zealand

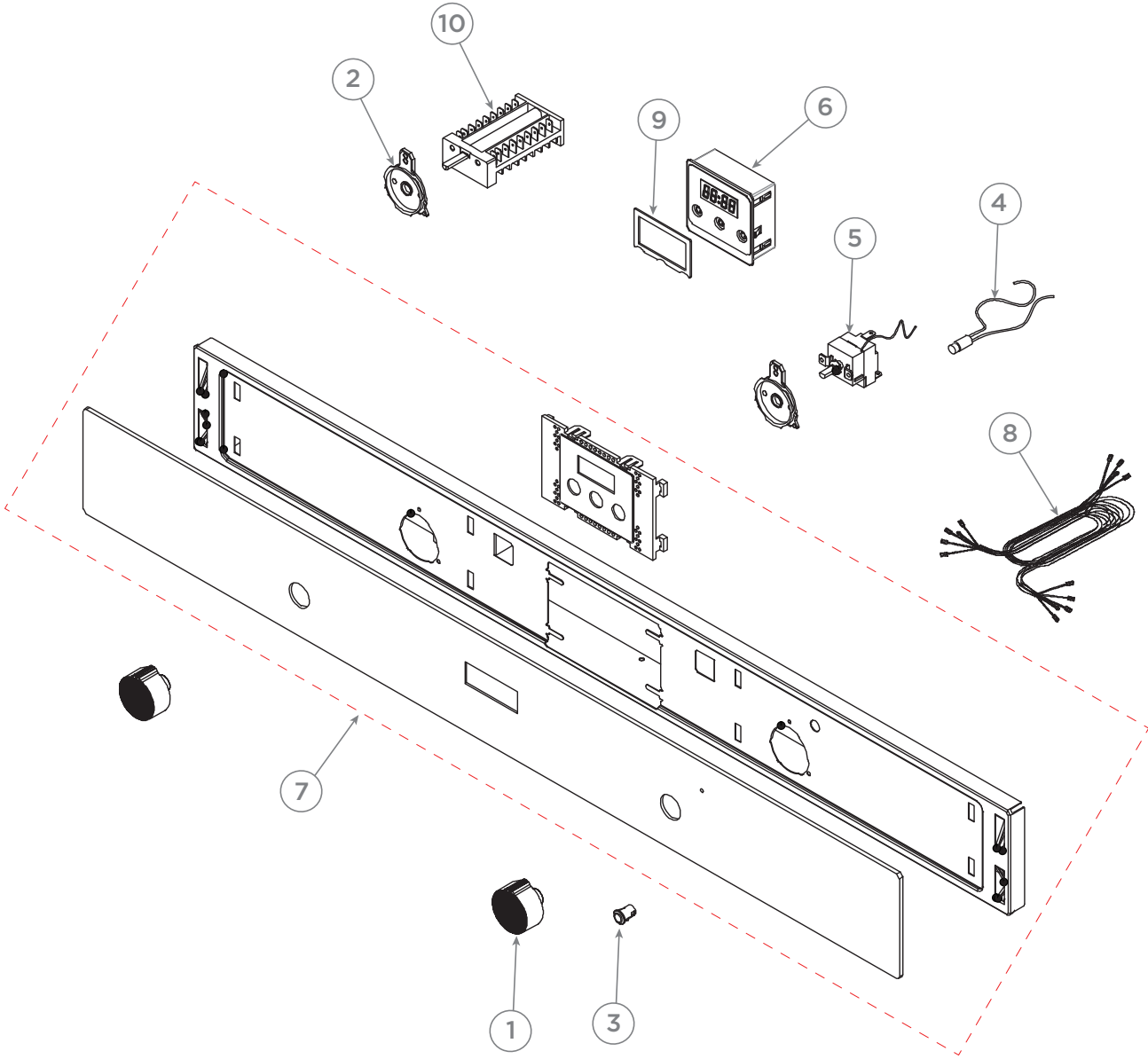
tel: (09) 2730660
fax: (09) 2730580
email: customer.care@fp.co.nz

AU

Fisher & Paykel Customer Services Pty Ltd
PO Box 798, Cleveland, QLD 4163
A.C.N. 003 3335 171
19 Enterprise Street
Cleveland, QLD 4163
Australia

tel: (07) 3826 9100
fax: (07) 3826 9164
email: customer.care@fp.com.au

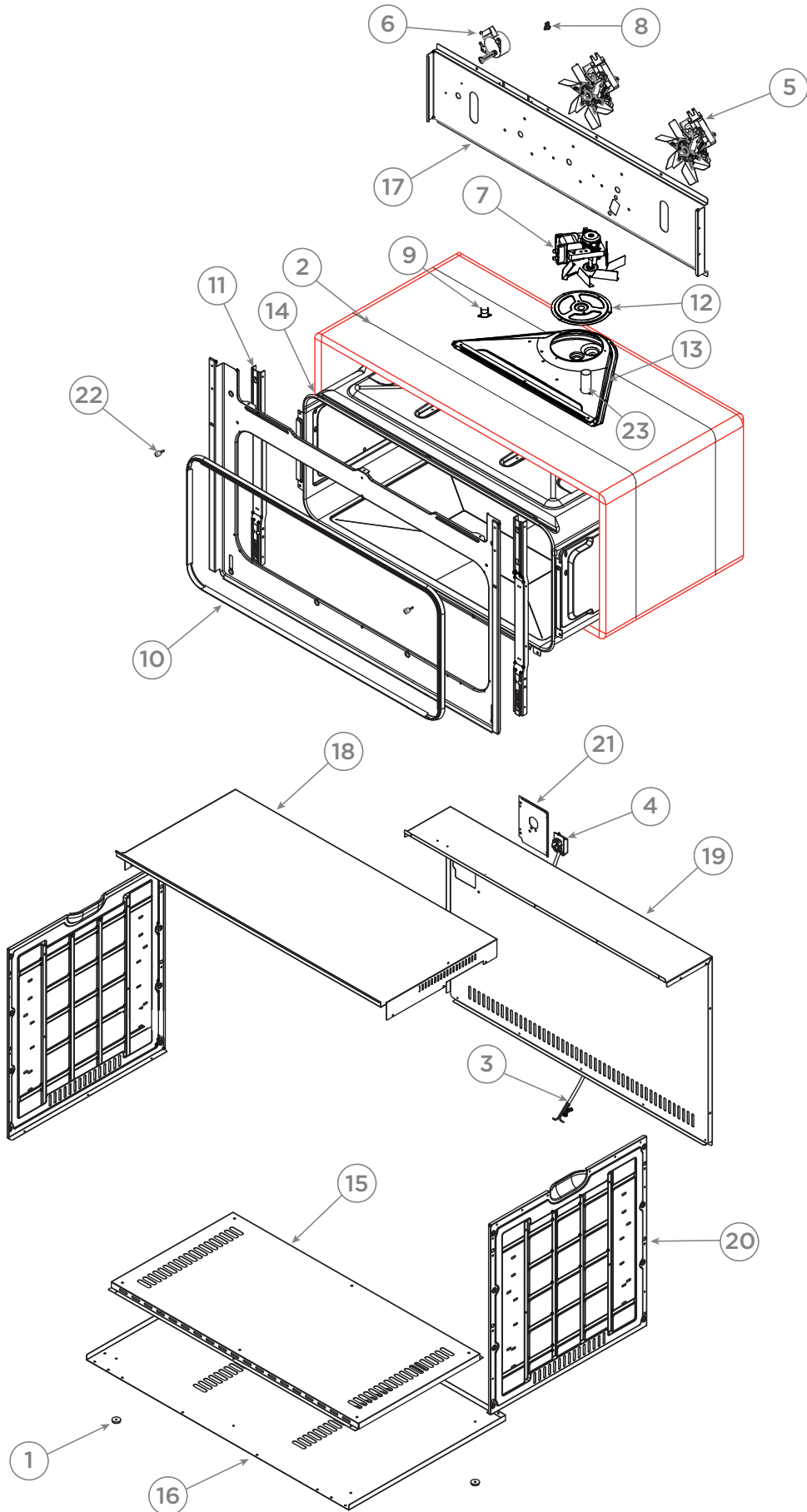
CONTROL PANEL COMPONENTS



CONTROL PANEL COMPONENTS

REFERENCE	PART NUMBER	PART DESCRIPTION
1	793287	KNOB PLASTIC
2	793288	BEZEL
3	793289	LED LENS
4	793290	LED LAMP WITH CABLE 50X50 CM
5	793291	THERMOSTAT 50-250 C
6	793292	TIMER DIG TOUCH CNTRL 3BUTTON
7	793293	CONTROL PANEL HWO90
8	793294	CABLE GROUP
9	793295	SILICONE GASKET 3 TOUCH DIGITAL
10	793312	ROTARY SWITCH 0+8 STEP

CHASSIS COMPONENTS

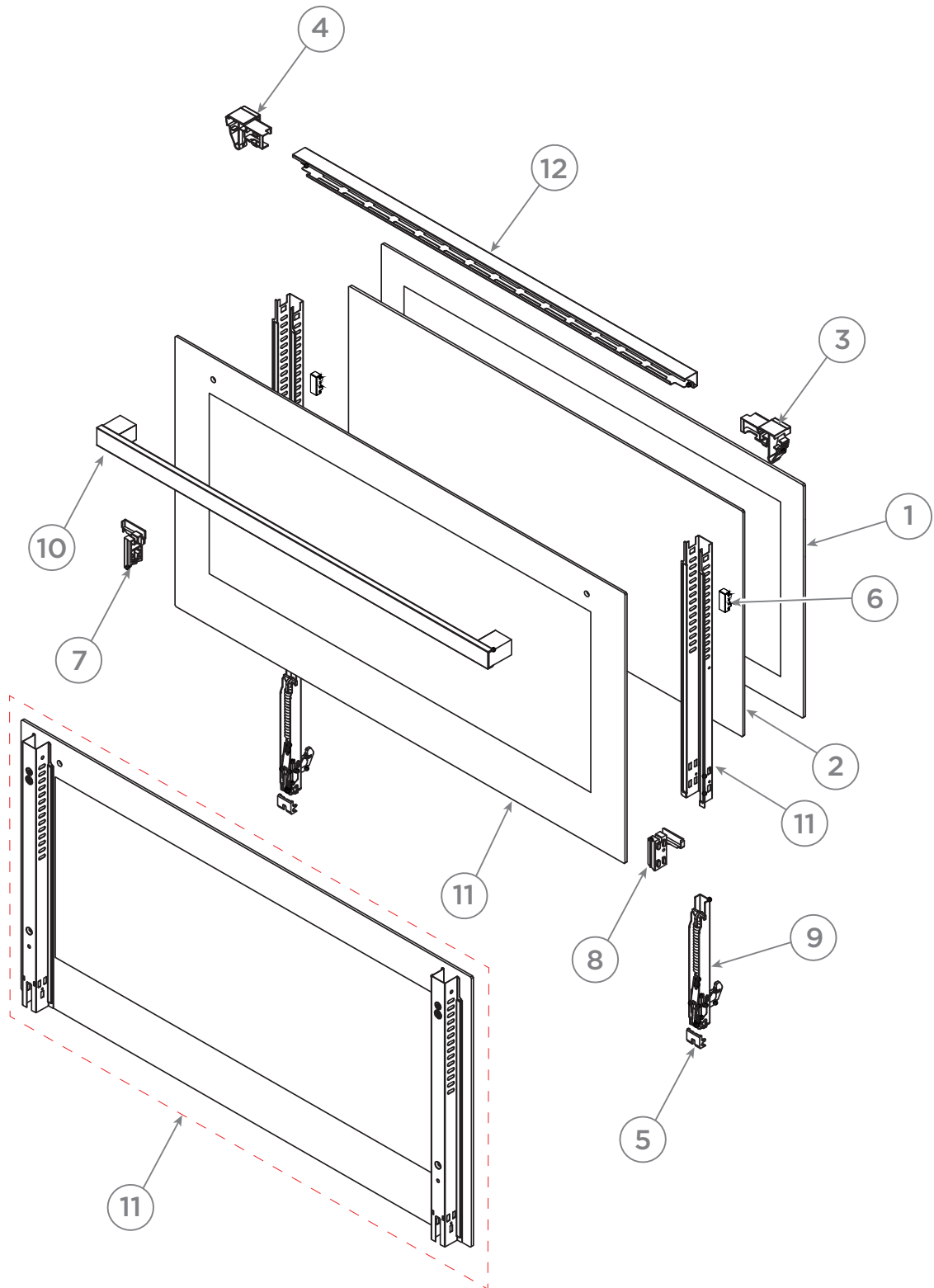


DWG 005870

CHASSIS COMPONENTS

REFERENCE	PART NUMBER	PART DESCRIPTION
1	793308	PLASTIC FOOT
2	793309	WIRE FOR INSULATION
3	793310	POWER CORD 3X1,5X1500 BLACK
4	793311	TERMINAL BLOCK
5	793313	TURBO FAN MOTOR
6	793314	MOTOR GRILL 6 WATT
7	793315	COOLING FAN (BUILT-IN)
8	793316	THERMOSTAT LIMITED 250
9	793317	TERM. LMT. NO 55 16A BLUE
10	793318	GASKET SILICONE
11	793319	BRACKET HINGE (RIGHT/LEFT)
12	793320	BRACKET FAN/DUCT
13	793321	DUCT FAN
14	793323	CAVITY
15	793324	PANEL HEAT PROTECTION
16	793325	PANEL BASE
17	793326	PANEL BACK
18	793327	BACK TOP COVER SHEET
19	793328	BACK COVER SHEET
20	793329	SIDE PANEL
21	793330	BRACKET TERMINAL BLOCK
22	793332	STOPPER DOOR SILICON FRONT
23	793322	TUBE CHIMNEY

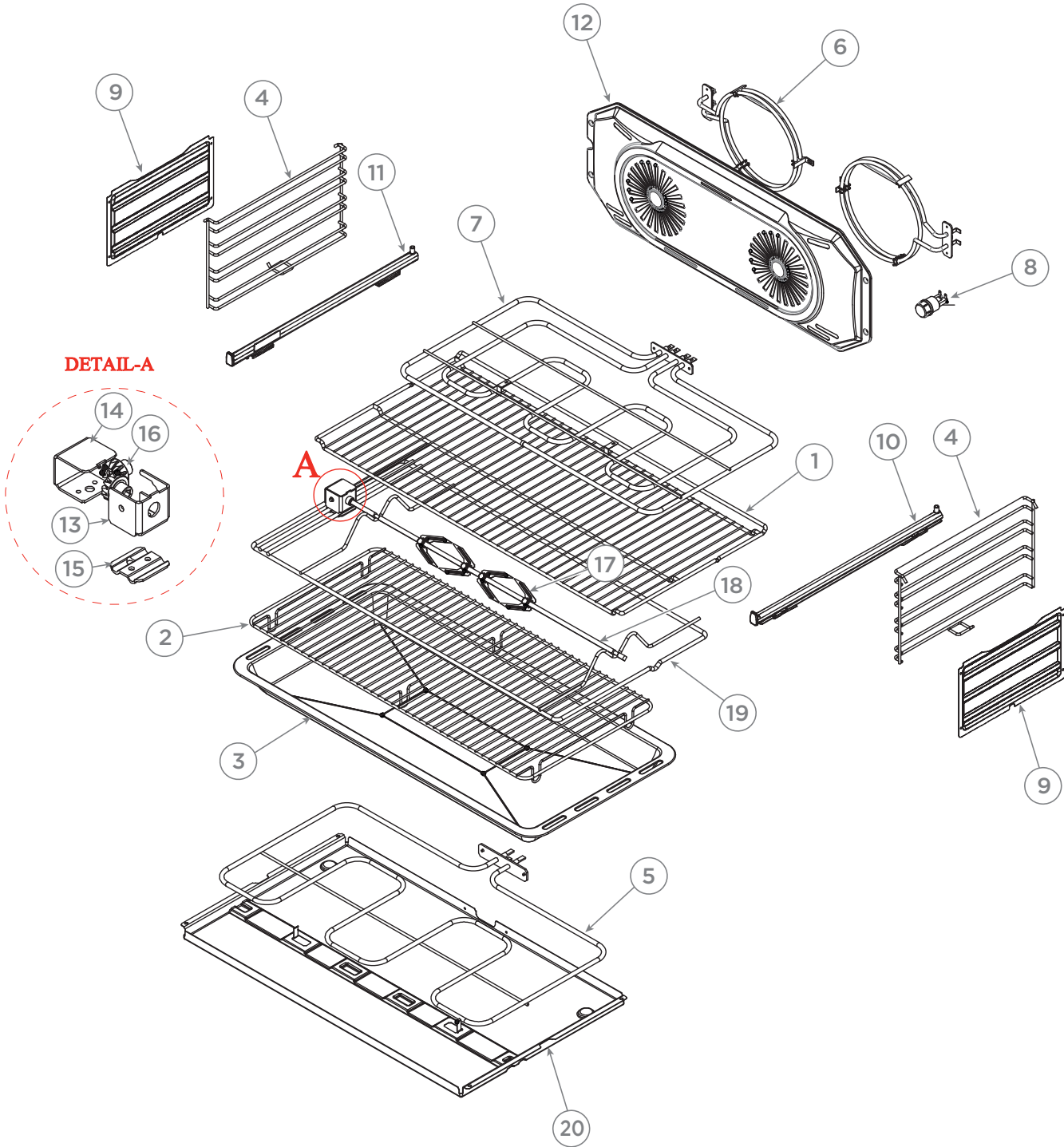
DOOR COMPONENTS



DOOR COMPONENTS

REFERENCE	PART NUMBER	PART DESCRIPTION
1	793296	GLASS DOOR INNER
2	793297	GLASS DOOR MIDDLE
3	793298	RETAINER INNER GLASS TOP RH
4	793299	RETAINER INNER GLASS TOP LH
5	793300	DOOR HINGE BOTTOM PLASTIC
6	793301	PLASTIC COMMAND PANEL-2014
7	793302	RETAINER INNER GLASS BOTTOM LH
8	793303	RETAINER INNER GLASS BOTTOM RH
9	793304	HINGE DOOR
10	793305	HANDLE ASSY HWO90
11	793306	GLASS & BRACKET ASSY HWO90
12	793307	COVER TOP PROFILE

ELEMENTS & ACCESSORIES



ELEMENTS & ACCESSORIES

REFERENCE	PART NUMBER	PART DESCRIPTION
1	793333	WIRE GRID
2	793334	WIRE SHELF W/ STOPPER
3	793335	OVEN TRAY ENAMEL
4	793336	WIRE RACK
5	793337	ELEMENT BAKE 60X90
6	793338	FAN ELEMENT 60X90 TURBO 1250W
7	793339	ELEMENT TOP+GRILL 1500+1750 60X90
8	793340	OVEN LAMP WITH VDE
NI	563377	BULB SPARES KIT OB60C
9	793341	CATALYTIC SIDE PANEL RIGHT/LEFT
10	793342	TELESCOPIC RAIL LEFT HAND
11	793343	TELESCOPIC RAIL RIGHT HAND
12	793394	SHROUD FAN
13	793344	BRACKET ROT MOTOR INNER
14	793345	BRACKET ROT MOTOR OUTER
15	793346	BRACKET GEARBOX
16	793347	ROTISSERIE MOTOR CONICAL
17	793348	ROTISSERIE SPEAR
18	793349	ROD MOTISSERIE
19	793350	WIRE FRAME ROTISSERIE
20	793331	PANEL ELEMENT
NI	592391	BK UG IG HWO90S10EX2 HA AA

FISHERPAYKEL.COM

© Fisher & Paykel Appliances Ltd 2021. All rights reserved.

The product specifications in this document apply to the specific products and models described at the date of issue. Under our policy of continuous product improvement, these specifications may change at any time. You should therefore check with your Dealer to ensure this document correctly describes the product currently available.

For current details about model and specification availability in your country, go to our website fisherpaykel.com or contact your local Fisher & Paykel dealer

PRODUCT CODE: 61758-A 07.21